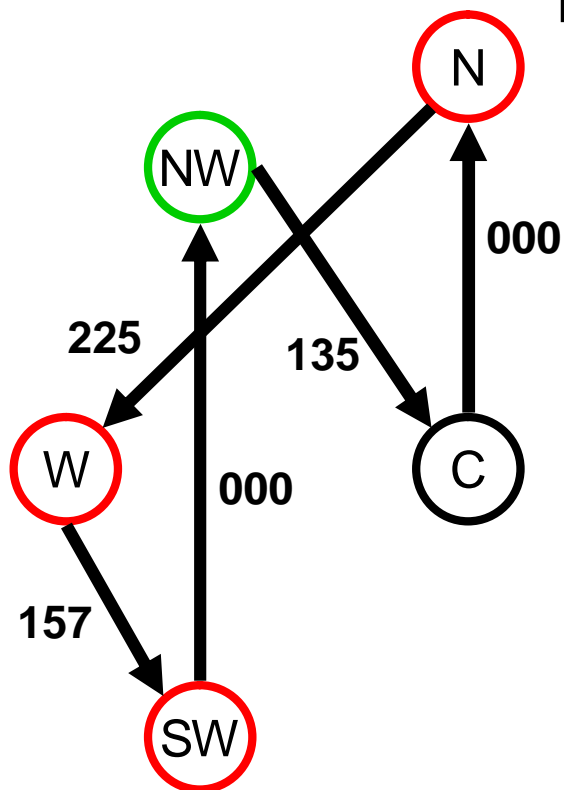


5.03 NM

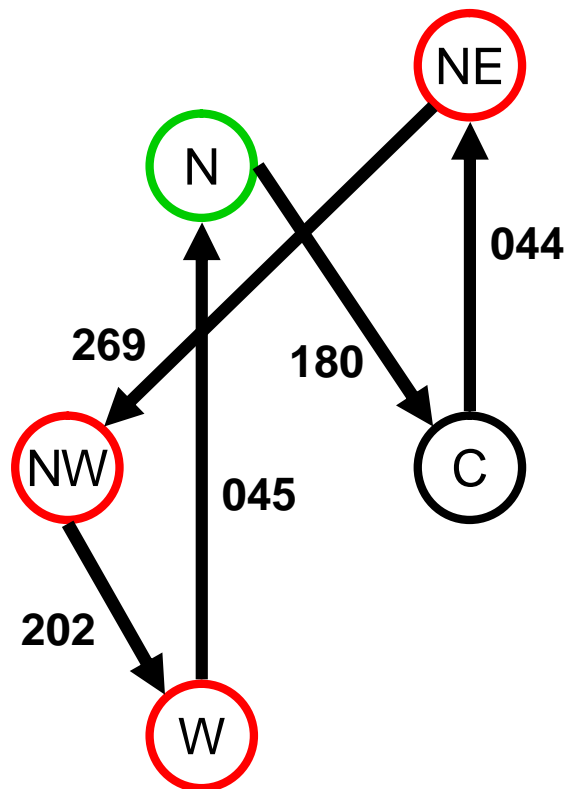
N3



C-N_p-W_p-SW_p-NW_s-C

5.03 NM

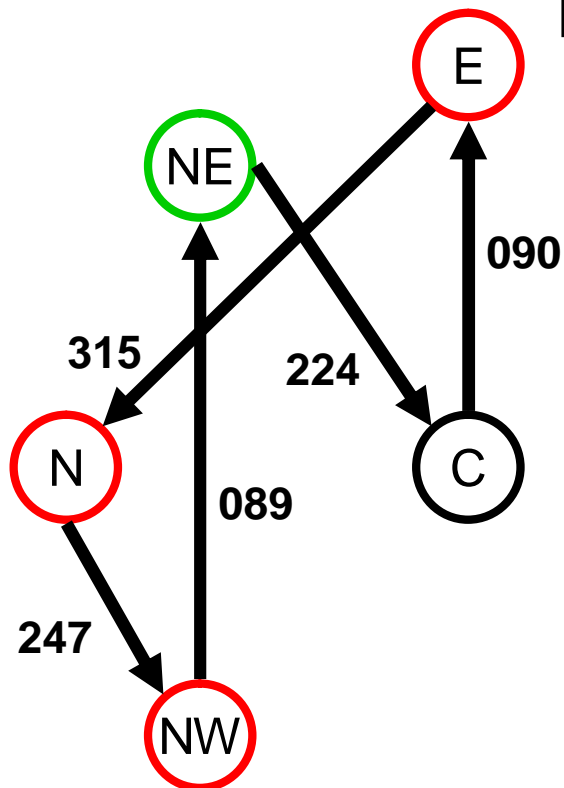
NE3



C-NE_p-NW_p-W_p-N_s-C

5.03 NM

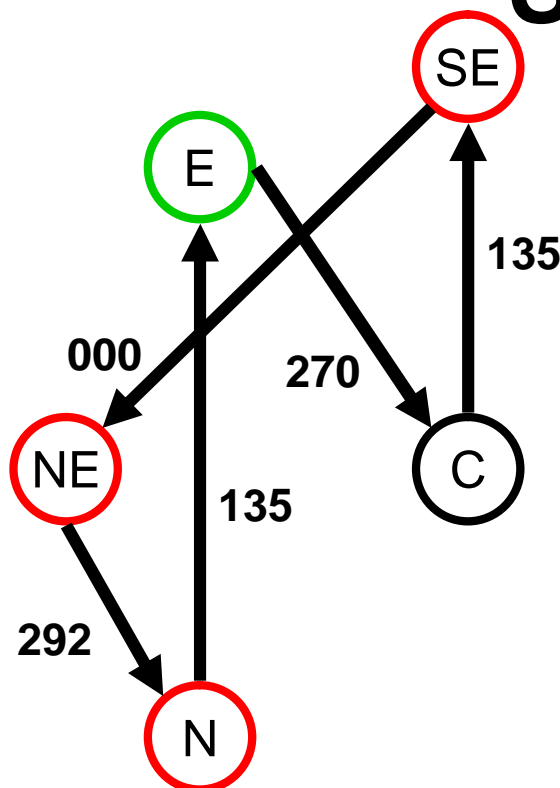
E3



C-E_p-N_p-NW_p-NE_s-C

5.03 NM

SE3



C-SE_p-NE_p-N_p-E_s-C

